



## VENDED LAUNDRY T-450 EXPRESS STACK WASHER-DRYER



# T-450 EXPRESS STACK WASHER-DRYER

Dexter C-Series Stack Washer-Dryer

### Vended laundry solutions you can depend on.

Dexter C-Series vended T-450 stack washer-dryers are engineered to show up for work in even the harshest laundry environments. Featuring upgraded controls, next generation components, and high quality materials, these space saving combination units are designed to help make you more successful.

A store full of laundry equipment is a big investment and choosing the right equipment is an important decision. Our products will provide you the efficiency, flexibility, performance, and durability you need to be confident in your choice. With lifetime technical support and an industry leading warranty, you can be confident that we will stand behind every stack washer-dryer you invest in.

**Contact your Dexter Authorized Distributor today for more details.**

### DURABLE:

With heavy-duty bearings in cast iron bearing housings, welded steel spiders and shafts, and rugged frame and cabinet designs, Dexter stack washer-dryers are built to last.

Every model is designed to withstand our 1,000 hour out-of-balance test.

The polished chrome doors and AISI 304 stainless steel tub, cylinder, and panels keep machines looking great for years.

The screw resistant tumbler hole pattern minimizes tumbler damage.

### RELIABLE:

We offer an industry leading 10-year limited warranty on the washer and a 5-year limited warranty on the dryer.

A 3-year parts warranty covers the rest.

We stand behind every machine you invest in with lifetime technical support.

### EFFICIENT:

With a dry-to-dry time of less than one hour, Dexter stack washer-dryers work fast and efficiently.

A next generation inverter drive on the washer lowers electrical usage and improves performance.

Powerful Express 200 g-force extraction removes more water to reduce dry time and helps reduce energy costs.

The electronic pressure sensor offers a range of water level options to increase efficiency and help save water.

### INSTALLATION:

This combination unit provides a full laundry solution in a single footprint and is ideal for laundries with limited space.

The adjustable final extract speed allows the unit to fit almost any location.

This Dexter unit fits through a standard 36" door way.

### PROFITABLE:

Every Dexter machine is now easier to use with a common user interface on all products, multiple language options, and detailed customer prompts.

C-Series controls work with DexterLive.com to allow you to create custom programs that fit your business.

A variety of PLUS cycle features and promotion options will help you maximize revenue generation.

### OPTIONS:

Available with blue or black graphics, stainless steel or galvanized dryer tumblers, and chrome or stainless steel dryer doors.

Your machines can be shipped with coin acceptors or payment system ready.

Gas models, with propane kits available.

EMPLOYEE OWNED | MADE IN THE USA | SINCE 1894

**DEXTER.COM**

2211 WEST GRIMES AVENUE, FAIRFIELD, IOWA 52556 USA

**1.800.524.2954**

# T-450 EXPRESS STACK WASHER / DRYER SPECIFICATIONS

## OVERALL SPECIFICATIONS:

<b>Capacity:</b>		
Dry Weight Capacity (per machine) - lb (kg)	30	(13.6)
Washer Cylinder Volume - cu ft (L)	4	(113.3)
Dryer Cylinder Volume - cu ft (L)	11.3	(320)
<b>Speed:</b>		
Washer High Extract Speed - g (RPM)	200	(750)
Washer Intermediate Extract Speed - g (RPM)	60	(411)
Washer Washing Speed - g (RPM)	0.9	(50)
Washer Motor Size - hp (kW)	2	(1.5)
Dryer Tumbler Speed - (RPM)	47	---
Dryer Motor Size - hp (kW)	1/2	(0.38)
<b>Airflow (Dryer Only):</b>		
60 Hz Model - cfm (M3/min)	500	(14.6)
50 Hz Model - cfm (M3/min)	450	(12.7)
<b>Dimensions:</b>		
Overall Cabinet Height - in (cm)	78 3/8	(199)
Overall Cabinet Width - in (cm)	31 1/2	(80)
Overall Cabinet Depth - in (cm)	49 7/16	(125.6)
Washer Cylinder Diameter - in (cm)	25	(63.5)
Washer Cylinder Depth - in (cm)	14 1/8	(35.9)
Washer Door Opening - in (cm)	15 1/4	(38.7)
Floor to Washer Door Bottom - in (cm)	12 7/16	(31.6)
Dryer Cylinder Diameter - in (cm)	30	(76.2)
Dryer Cylinder Depth - in (cm)	27 1/2	(69.9)
Dryer Door Opening - in (cm)	22 11/16	(57.6)
Floor to Dryer Door Bottom - in (cm)	47 3/8	(120.3)
Dryer Lint Screen Area - sq in (sq cm)	453	(2923)
<b>Weight:</b>		
Net Weight - lb (kg)	1051	(476.7)
<b>Shipping Information:</b>		
Shipping Weight - lb (kg)	1101	(499.4)
Shipping Height - in (cm)	84	(213.4)
Shipping Width - in (cm)	34	(86.4)
Shipping Depth - in (cm)	54	(137.2)
<b>Installation Recommendations:</b>		
Min Clearance Between Machines - in (cm)	1/2	(1.3)
Min Clearance Behind Machines - in (cm)	24	(61)
Min Concrete Thickness - in (cm)	6	(15.2)
Make-Up Air Required - sq ft (sq cm)	1	(929)
Exhaust Size - in (cm)	6	(15.2)
Max. Exh Back Pressure (Water Column) - in (mm)	0.3	(7.6)
Recommended Exh Length - ft (m) & 2 elbows	14	(4.3)

## WASHER REQUIREMENTS:

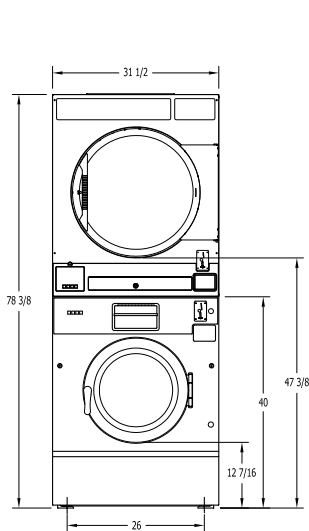
<b>Water Requirements:</b>		
Water Inlet Size - in (mm)	3/4	(19)
Pressure (min/max) - psi (kPa)	30-120	(207-827)
Flow Rate Per Valve - gal/min (L/min)	9	(34)
Approximate Water Usage (per cycle) - gal (L)	23.5	(89)
Drain Diameter (O.D.) - in (cm)	3	(7.6)
Floor to Center of Drain - in (cm)	4 7/16	(11.3)

## DRYER REQUIREMENTS:

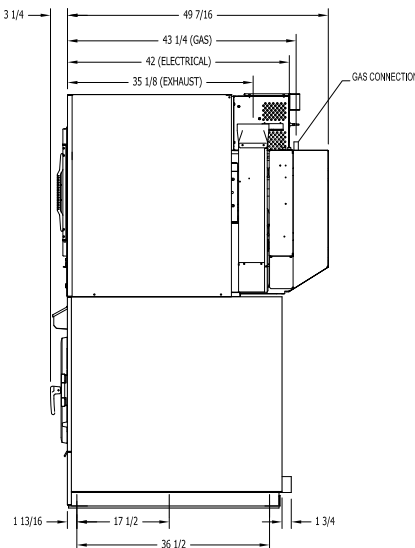
<b>Gas Requirements (Gas Models Only):</b>		
Gas Supply Connection - in (mm)	1/2	(12.7)
Natural Gas Supply (Water Column) - in (cm)	5-10	(12.7 - 25.4)
LP Gas Supply (Water Column) - in (cm)	11 1/2 - 14	(29.2 - 35.5)
<b>Gas Usage (Gas Models Only):</b>		
60Hz Model - BTU/hr (kW)	80,000	(23.4)
50Hz Model - BTU/hr (kW)	74,000	(21.7)

## ELECTRICAL REQUIREMENTS:

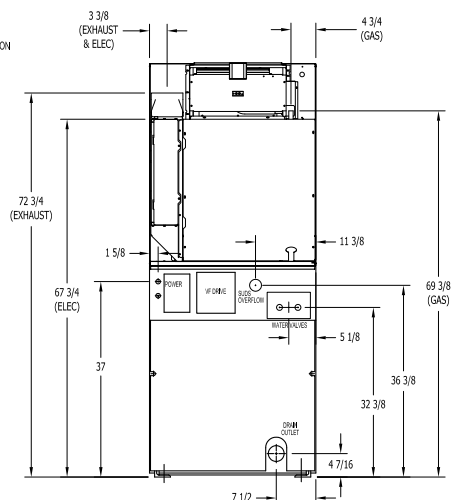
Model	Volts / Hz / Phase / Wiring	Circuit Breaker Amps / Running Amps / Wire Size
-17	Washer	208-240 / 60 / 1 / 2 wire + ground
	Washer	208-240 / 60 / 3 / 3 wire + ground
-39	Gas Dryer	120 / 60 / 1 / 2 wire + ground
	Gas Dryer	208-240 / 60 / 1 / 2 wire + ground
-59	Washer	230 / 50 / 1 / 2 wire + ground
	Gas Dryer	230 / 50 / 1 / 2 wire + ground
-79	Washer	230 / 50 / 1 / 2 wire + ground
	24 kW Electric Dryer	400 / 50 / 3 / 4 wire + ground



FRONT



SIDE



BACK

Due to continuous product improvements specifications are subject to change, please consult Dexter Laundry, your Dexter Authorized Distributor or the installation manual for the most accurate information.

\*Agency approvals vary based on machine configuration. Major approval bodies include ETL, CE and AGA.

Part #0995-113-016  
Rev - 2/01/2018